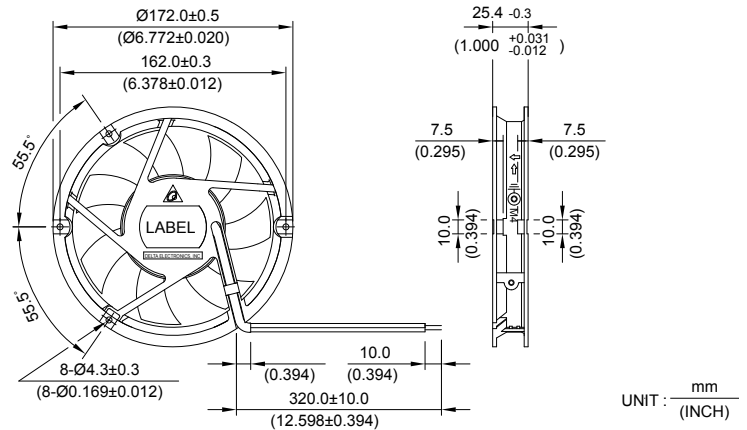


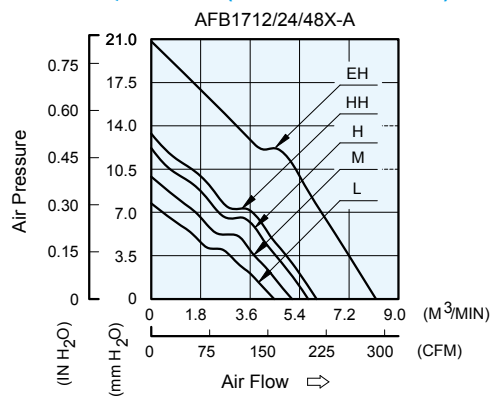
AFB $\phi 172 \times 25.4$ MM SERIES

DIMENSIONS DRAWING

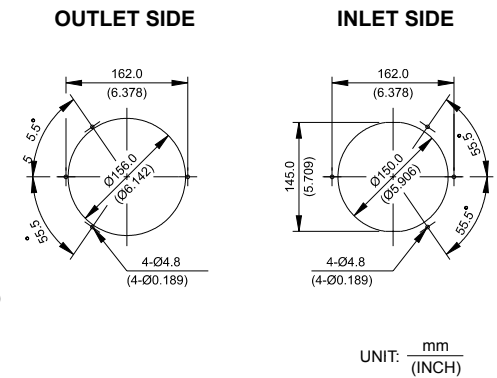


- * Bearing Type
Ball Bearings
- * Material
Impeller: Plastic (UL 94V-0)
Frame: Die-cast Aluminum
- * Lead Wires :
UL 1007 AWG #24 OR Equivalent
Red Wire Positive (+)
Black Wire Negative (-)
- * Weight : 450g (15.87 oz)

P & Q CURVE (AT RATED VOLTAGE)



MOUNTING PANEL CUTOUT



| MODEL | | | Rated Voltage | Operating Voltage Range | Input Current | Input Power | Speed | Maximum Air Flow | | Maximum Air Pressure | | Noise |
|-----------|------|-------------|---------------|-------------------------|---------------|-------------|--------|---------------------|--------|----------------------|---------------------|-------|
| PART NO. | REV. | FUNCTION | VDC | VDC | Amp | Watt | R.P.M. | m ³ /min | CFM | mmH ₂ O | IN H ₂ O | dB-A |
| AFB1712L | -A | -R00 / -F00 | 12 | 6.0 to 14.0 | 0.56 | 6.72 | 2400 | 4.553 | 160.77 | 7.75 | 0.305 | 46.0 |
| AFB1724L | -A | -R00 / -F00 | 24 | 12.0 to 30.0 | 0.31 | 7.44 | | | | | | |
| AFB1748L | -A | -R00 / -F00 | 48 | 24.0 to 60.0 | 0.17 | 8.16 | | | | | | |
| AFB1712M | -A | -R00 / -F00 | 12 | 6.0 to 14.0 | 0.76 | 9.12 | 2700 | 5.134 | 181.32 | 9.70 | 0.382 | 49.0 |
| AFB1724M | -A | -R00 / -F00 | 24 | 12.0 to 30.0 | 0.40 | 9.60 | | | | | | |
| AFB1748M | -A | -R00 / -F00 | 48 | 24.0 to 60.0 | 0.22 | 10.56 | | | | | | |
| AFB1712H | -A | -R00 / -F00 | 12 | 6.0 to 14.0 | 0.98 | 11.76 | 3000 | 5.735 | 202.54 | 11.85 | 0.467 | 52.0 |
| AFB1724H | -A | -R00 / -F00 | 24 | 12.0 to 30.0 | 0.50 | 12.00 | | | | | | |
| AFB1748H | -A | -R00 / -F00 | 48 | 24.0 to 60.0 | 0.27 | 12.96 | | | | | | |
| AFB1712HH | -A | -R00 / -F00 | 12 | 6.0 to 14.0 | 1.17 | 14.04 | 3200 | 6.084 | 214.85 | 13.30 | 0.524 | 53.5 |
| AFB1724HH | -A | -R00 / -F00 | 24 | 12.0 to 30.0 | 0.62 | 14.88 | | | | | | |
| AFB1748HH | -A | -R00 / -F00 | 48 | 24.0 to 60.0 | 0.31 | 14.88 | | | | | | |
| AFB1712EH | -A | -R00 / -F00 | 12 | 7.0 to 13.8 | 3.00 | 36.00 | 4300 | 8.230 | 290.64 | 20.85 | 0.821 | 61.5 |
| AFB1724EH | -A | -R00 / -F00 | 24 | 15.8 to 27.6 | 1.60 | 38.40 | | | | | | |

* Function type is optional.
 * The max. air flow and the speed are measured in free air ; max. air pressure is measured at zero air flow.
 * Noise is measured in anechoic chamber in free air, one meter from intake side.
 * All readings are typical values at rated voltage.
 * Specifications are subject to change without notice.